

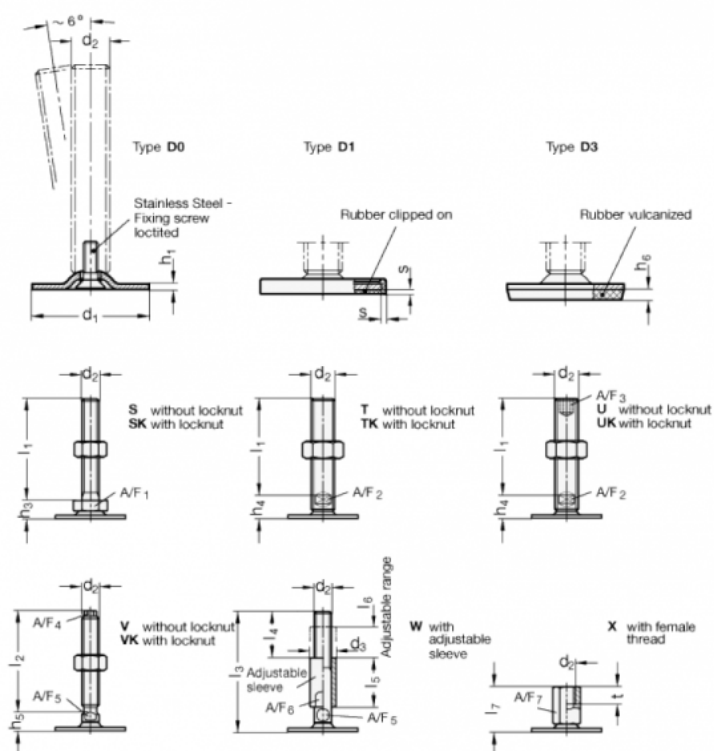
Article number: 204180M1675D0V

Description: E+G levelling foot

GN 41-80-M16-75-D0-V

Note: V Without nut, External hexagon at the top, Wrench flat at the bottom

Measures



A/F4 = 10

A/F5 = 12

d1 = 80

d2 = M16

h1 = 3

h5 = 15

h6 =

l2 = 75

s =